



Subject: Global Infrastructure and Networks – GSCM012 DISTRIBUTION FUSE-CUTOUT UP TO 36 kV

Application Areas

Perimeter: *Global*

Staff Function: -

Service Function: -

Business Line: *Infrastructure & Networks*

CONTENTS

1	DOCUMENT AIMS AND APPLICATION AREA	2
2	DOCUMENT VERSION MANAGEMENT	2
3	UNITS IN CHARGE OF THE DOCUMENT	3
4	REFERENCES	3
5	ORGANIZATIONAL PROCESS POSITION IN THE PROCESS TAXONOMY.....	3
6	DEFINITIONS AND ACRONYMS.....	4
6.1	<i>Enel Global Infrastructure and Networks countries Reference standards.....</i>	<i>5</i>
7	DESCRIPTION	6
7.1	<i>List of Components.....</i>	<i>6</i>
7.2	<i>Applicable laws and reference standards.....</i>	<i>9</i>
7.3	<i>Service conditions.....</i>	<i>11</i>
7.4	<i>Technical characteristics</i>	<i>12</i>
7.5	CONSTRUCTION CHARACTERISTICS.....	14
7.6	TESTS	18
7.7	MARKING AND INFORMATION.....	21
7.8	GENERAL DRAWINGS	23
8	ANNEX A - TECHNICAL CHECK LIST	25

THE HEAD OF Network Components
Maurizio Mazzotti

Subject: Global Infrastructure and Networks – GSCM012 DISTRIBUTION FUSE-CUTOUT UP TO 36 kV

Application Areas

Perimeter: *Global*

Staff Function: -

Service Function: -

Business Line: *Infrastructure & Networks*

1 DOCUMENT AIMS AND APPLICATION AREA

The scope of this document is to provide technical requirements for the supply of outdoor distribution fuse-cutouts up to 36 kV to be used in the MV overhead distribution networks of the Enel Group Distribution Companies, listed below:

Country	Distribution Company
Argentina	Edesur
Brazil	Enel Distribuição Rio Enel Distribuição Ceará Enel Distribuição São Paulo
Chile	Enel Distribución Chile
Colombia	Enel Codensa
Iberia	e-distribución

Table 1 - Distribution Companies

2 DOCUMENT VERSION MANAGEMENT

Version	Date	Main changes description
1	22/07/2021	Initial release

Subject: Global Infrastructure and Networks – GSCM012 DISTRIBUTION FUSE-CUTOUT UP TO 36 kV

Application Areas

Perimeter: *Global*

Staff Function: -

Service Function: -

Business Line: *Infrastructure & Networks*

3 UNITS IN CHARGE OF THE DOCUMENT

Responsible for drawing up the document:

- Global Infrastructure and Networks: Engineering and Construction / Components and Devices Design / Network Components

Responsible for authorizing the document:

- Global Infrastructure and Networks: Head of Engineering and Construction unit
- Global Infrastructure and Networks: Head of Health, Safety, Environment and Quality unit.

4 REFERENCES

- Code of Ethics of Enel Group.
- Enel Human Right Policy.
- The Enel Group Zero Tolerance of Corruption (ZTC) Plan.
- Organization and management model as per Legislative Decree No. 231/2001.
- RACI Handbook Infrastructure and Networks no. 06.
- Enel Global Compliance Program (EGCP).
- Integrated Policy of Quality, Health and Safety, Environment and anti-Bribery.

5 ORGANIZATIONAL PROCESS POSITION IN THE PROCESS TAXONOMY

Value Chain/Process Area: Networks Management

Macro Process: Materials management

Process: Network Components Standardization

Subject: Global Infrastructure and Networks – GSCM012 DISTRIBUTION FUSE-CUTOUT UP TO 36 kV

Application Areas

Perimeter: *Global*

Staff Function: -

Service Function: -

Business Line: *Infrastructure & Networks*

6 DEFINITIONS AND ACRONYMS

Acronym and Key words	Description
Manufacturer Product	Component manufactured by a Supplier in accordance with a technical specification
Technical Conformity Assessment (TCA)	A “conformity assessment” ¹ with respect to “specified requirements” ² consists in functional, dimensional, constructional and test characteristics required for a product (or a series of products) and quoted in technical specifications and quality requirements issued by Enel Group distribution companies. This also includes the verification of conformity with respect to local applicable regulation and laws and possession of relevant requested certifications
Conformity assessment body	Body that performs the conformity assessment activities [ISO 17000]
Enel Equipment Key code	It's an equipment representative for a group (family) of similar equipment chose by Enel
Enel Equipment Family code	Equipment belonging to a specific group (family) in which another equipment is identified as key code
TCA systems	The “conformity assessment systems”, is applicable specifying that the rules and procedures to carry on the TCA are those specified in the present document
Type A documentation	Not confidential documents used for product manufacturing and management from which it is possible to verify the product conformity to all technical specification requirements, directly or indirectly
Type B documentation	Confidential documents used for product manufacturing and management where all product project details are described, in order to uniquely identify the product object of the TCA
TCA report	Document describing the activities carried out for TCA
TCA dossier	Set of final documents delivered by the Supplier for the TCA
Material LifeCycle Management (MLM)	Integrated IT platform to manage the processes of Technical Specifications (TSM), Technical Conformity Assessment (TCA), Quality Control Tools (QCA), Defects Managing (CMD), Warranties and Materials Shipping (MSH)

¹ Definition 2.1 of ISO/IEC 17000

² Definition 3.1 of ISO/IEC 17000

Subject: Global Infrastructure and Networks – GSCM012 DISTRIBUTION FUSE-CUTOUT UP TO 36 kV

Application Areas

Perimeter: *Global*

Staff Function: -

Service Function: -

Business Line: *Infrastructure & Networks*

6.1 ENEL GLOBAL INFRASTRUCTURE AND NETWORKS COUNTRIES REFERENCE STANDARDS

Reference documents listed below (amendments included) shall be the edition in-force at the contract date.

ISO/IEC 17000	Conformity assessment – Vocabulary and general principles
ISO/IEC 17020	General criteria for the operation of various types of bodies performing inspection.
ISO/IEC 17025	General requirements for the competence of testing and calibration laboratories
ISO/IEC 17050-1	Conformity assessment - Supplier's declaration of conformity - Part 1: General requirements (ISO/IEC 17050-1:2004, corrected version 2007-06-15)
ISO/IEC 17050-2	Conformity assessment - Supplier's declaration of conformity - Part 2: Supporting documentation (ISO/IEC 17050-2:2004)
ISO/IEC 17065	Conformity assessment – Requirements for bodies certifying products, processes and services.

Subject: Global Infrastructure and Networks – GSCM012 DISTRIBUTION FUSE-CUTOUT UP TO 36 kV

Application Areas

Perimeter: *Global*
Staff Function: -
Service Function: -
Business Line: *Infrastructure & Networks*

7 DESCRIPTION

7.1 LIST OF COMPONENTS

Type code	Description	Rated Voltage (kV)	Fuse base type	Pollution level	Rated breaking capacity (kA)
GSCM012/1	Linear fuse-cutout 24kV 8kA (pollution level d)	24	1	d	8
GSCM012/2	Linear fuse-cutout 24kV 8kA (pollution level e)	24	1	e	8
GSCM012/3	V-shaped fuse-cutout 24kV 8kA (pollution level d)	24	2	d	8
GSCM012/4	V-shaped fuse-cutout 24kV 8kA (pollution level e)	24	2	e	8
GSCM012/5	Linear fuse-cutout 36kV 8kA (pollution level d)	36	1	d	8
GSCM012/6	Linear fuse-cutout 36kV 8kA (pollution level e)	36	1	e	8
GSCM012/7	V-shaped fuse-cutout 36kV 8kA (pollution level d)	36	2	d	8
GSCM012/8	V-shaped fuse-cutout 36kV 8kA (pollution level e)	36	2	e	8
GSCM012/9	Linear fuse-cutout 24kV 10,6kA (pollution level d)	24	1	d	10,6

Table 2 – List of components (fuse-cutout)

Subject: Global Infrastructure and Networks – GSCM012 DISTRIBUTION FUSE-CUTOUT UP TO 36 kV

Application Areas

Perimeter: *Global*
Staff Function: -
Service Function: -
Business Line: *Infrastructure & Networks*

Type code	Description	Rated current (A)	Type
GSCM012/20	Fuse-link type K 1A	1	K
GSCM012/21	Fuse-link type K 2A	2	K
GSCM012/22	Fuse-link type K 3A	3	K
GSCM012/23	Fuse-link type K 6,3A	6,3	K
GSCM012/24	Fuse-link type K 8A	8	K
GSCM012/25	Fuse-link type K 10A	10	K
GSCM012/26	Fuse-link type K 12,5A	12,5	K
GSCM012/27	Fuse-link type K 16A	16	K
GSCM012/28	Fuse-link type K 20A	20	K
GSCM012/29	Fuse-link type K 25A	25	K
GSCM012/30	Fuse-link type K 31,5A	31,5	K
GSCM012/31	Fuse-link type K 40A	40	K
GSCM012/32	Fuse-link type K 50A	50	K
GSCM012/33	Fuse-link type K 63A	63	K
GSCM012/34	Fuse-link type K 80A	80	K
GSCM012/35	Fuse-link type K 100A	100	K

Table 3 – List of components (K type fuse-link)

Subject: Global Infrastructure and Networks – GSCM012 DISTRIBUTION FUSE-CUTOUT UP TO 36 kV

Application Areas

Perimeter: *Global*

Staff Function: -

Service Function: -

Business Line: *Infrastructure & Networks*

Type code	Description	Rated current (A)	Type
GSCM012/40	Fuse-link type T 1A	1	T
GSCM012/41	Fuse-link type T 2A	2	T
GSCM012/42	Fuse-link type T 3A	3	T
GSCM012/43	Fuse-link type T 6,3A	6,3	T
GSCM012/44	Fuse-link type T 8A	8	T
GSCM012/45	Fuse-link type T 10A	10	T
GSCM012/46	Fuse-link type T 12,5A	12,5	T
GSCM012/47	Fuse-link type T 16A	16	T
GSCM012/48	Fuse-link type T 20A	20	T
GSCM012/49	Fuse-link type T 25A	25	T
GSCM012/50	Fuse-link type T 31,5A	31,5	T
GSCM012/51	Fuse-link type T 40A	40	T
GSCM012/52	Fuse-link type T 50A	50	T
GSCM012/53	Fuse-link type T 63A	63	T
GSCM012/54	Fuse-link type T 80A	80	T
GSCM012/55	Fuse-link type T 100A	100	T

Table 4 – List of components (T type fuse-link)

Subject: Global Infrastructure and Networks – GSCM012 DISTRIBUTION FUSE-CUTOUT UP TO 36 kV

Application Areas

Perimeter: *Global*
Staff Function: -
Service Function: -
Business Line: *Infrastructure & Networks*

Type code	Description	Rated current (A)	Type
GSCM012/60	Fuse-link type H 0,5A	0,5	H
GSCM012/61	Fuse-link type H 1A	1	H
GSCM012/62	Fuse-link type H 2A	2	H
GSCM012/63	Fuse-link type H 3A	3	H
GSCM012/64	Fuse-link type H 5A	5	H

Table 5 – List of components (H type fuse-link)

For material codes please refer to TSM (Technical Specification Management)

7.2 APPLICABLE LAWS AND REFERENCE STANDARDS

Reference documents listed below (amendments included) shall be the edition in-force at the contract date.

7.2.1 International standard

IEC 60282-2	High-voltage fuses – Part 2: Expulsion fuses.
IEC 60282-4	High-voltage fuses – Part 4: Additional testing requirements for high-voltage expulsion fuses utilizing polymeric insulators.
IEC/TS 60815-1	Selection and dimensioning of high-voltage insulators for polluted conditions – Part 1: Definitions, information and general principles.
IEC/TS 60815-3	Selection and dimensioning of high-voltage insulators intended for use in polluted conditions – Part 3: Polymer insulators for a.c. systems.
IEEE C37.42	Specifications for High-Voltage (>1000 V) Fuses and Accessories.
NBR 7282	Dispositivos fusíveis de alta tensão — Dispositivos tipo expulsão — Requisitos e métodos de ensaio.
ISO 1461	Hot dip galvanized coatings on fabricated iron and steel articles -- Specifications and test methods.
ISO 1183-1	Plastics -- Methods for determining the density of non-cellular plastics -- Part 1: Immersion method, liquid pycnometer method and titration method.
ISO 868	Plastics and ebonite - Determination of indentation hardness by means of a durometer (Shore hardness).

Subject: Global Infrastructure and Networks – GSCM012 DISTRIBUTION FUSE-CUTOUT UP TO 36 kV

Application Areas

Perimeter: *Global*

Staff Function: -

Service Function: -

Business Line: *Infrastructure & Networks*

ISO 37	Rubber, vulcanized or thermoplastic -- Determination of tensile stress-strain properties.
ISO 34-1	Rubber, vulcanized or thermoplastic -- Determination of tear strength -- Part 1: Trouser, angle and crescent test pieces.
IEC 60587	Electrical insulating materials used under severe ambient conditions - Test methods for evaluating resistance to tracking and erosion.
IEC 61621	Dry, solid insulating materials - Resistance test to high-voltage, low-current arc discharges.
IEC 62631-1	Dielectric and resistive properties of solid insulating materials - Part 1: General.
IEC TS 62073	Guidance on the measurement of hydrophobicity of insulator surfaces.

7.2.2 Enel standards

- MAT-O&M-NCS-2021-0033-EGIN version 3 “Global Infrastructure and Networks – GSCG002 Technical Conformity Assessment”.
- Contractual Requirements for Components and Materials Quality management.
- CNS-O&M-S&L-2021-0032-EGIN “Global Infrastructure and Networks Barcode specification.
- Packaging, transport, and delivery requirements rev.2.

7.2.3 Brazil

- NR-10 – Segurança em instalações e serviços em eletricidade.

7.2.4 Chile

- Elec 4/2003 – Instalaciones de consumo en baja tensión.
- NSEG 5. E.n.71 - Reglamento de Instalaciones Eléctricas de Corrientes Fuertes.

7.2.5 Colombia

- RETIE – Reglamento Técnico de Instalaciones Eléctricas.

7.2.6 Spain

- The fuse-cutout must comply with the “Reglamento sobre condiciones técnicas y garantías de seguridad en instalaciones eléctricas de alta tensión y sus Instrucciones Técnicas Complementarias ITC-RAT 01 a 23 (R.D. 337/2014, de 9 de mayo)”, and consequently each fuse-cutout must be supplied accompanied by the "Declaración de Conformidad " required by this regulation, and the manufacturer or his authorized representative established in the European Union must keep the required “Expediente técnico” at disposal of the Spanish national market surveillance authority for inspection up to at least five years from the last date of manufacture of the product.

Subject: Global Infrastructure and Networks – GSCM012 DISTRIBUTION FUSE-CUTOUT UP TO 36 kV

Application Areas

Perimeter: *Global*

Staff Function: -

Service Function: -

Business Line: *Infrastructure & Networks*

- R.D. 614/2001, de 8 de junio, sobre disposiciones mínimas para la protección de la salud y seguridad de los trabajadores frente al riesgo eléctrico.

7.2.7 Europe

- Directive 2006/95/EC of the European Parliament and of the Council of 12 December 2006.

7.3 SERVICE CONDITIONS

7.3.1 General service conditions

Clause 4 of IEC 60282-2 is applicable with the following addition.

Minimum air ambient temperature	-25°C
Pollution level (IEC/TS 60815-3)	d – Heavy e – Very heavy
Maximum reference altitude for Colombia	2.700 m

Table 6 - Service Conditions

7.3.2 Seismic qualification level

It shall be considered the following considerations upon the seismic qualification level:

Country	Standard (LEVEL)
Argentina	N/A
Brazil	N/A
Colombia	IEC/TR 62271-300 (AF3) + Reglamento Colombiano de Construcción sismo resistente
Chile	ETGI-1020
España	N/A

Table 7 – Seismic qualification level

Subject: Global Infrastructure and Networks – GSCM012 DISTRIBUTION FUSE-CUTOUT UP TO 36 kV

Application Areas

Perimeter: *Global*

Staff Function: -

Service Function: -

Business Line: *Infrastructure & Networks*

7.4 TECHNICAL CHARACTERISTICS

The fuse-cutouts must comply the general requirements and the regulations enforced by the reference documents in chapter 7.2. For definitions of each component, characteristics and ratings refer to chapter 3 of IEC 60282-2 Standard.

7.4.1 Classification

The fuse-cut out are classified as class A according to their ability to comply with the TRV requirements in Table 9 of IEC 60282-2 Standard.

7.4.2 Fuse-link speed designation

The fuse-links that are the subject of this standard are designed according to their compliance with specific pre-arcing time-current characteristics.

- a) Designation **type K**: high-speed fuse-links with pre-arcing time-current characteristics in accordance with Table 10 of IEC 60282-2 Standard.
- b) Designation **type T**: low-speed fuse-links with pre-arcing time-current characteristics in accordance with Table 11 of IEC 60282-2 Standard.
- c) Designation **type H**: extra high-speed fuse-links with pre-arcing time-current characteristics in accordance with Table 11.b of NBR 7282 Standard.

For type K and T fuse-links with a rated current of 1, 2 and 3A refer to IEEE C.37.42 Standard for the values of their melting currents.

7.4.3 Rated characteristics.

7.4.3.1 Rated voltage and insulation level.

Rated voltage and insulation used to identify each component and determine the test conditions are given in Table 8.

Subject: Global Infrastructure and Networks – GSCM012 DISTRIBUTION FUSE-CUTOUT UP TO 36 kV

Application Areas

Perimeter: *Global*
Staff Function: -
Service Function: -
Business Line: *Infrastructure & Networks*

Rated Voltage [kV]			24	36
Rated insulation level	Rated short-duration power-frequency withstand voltage – Common value	[kV]	50	70
	Rated short-duration power-frequency withstand voltage – Across the isolating distance	[kV]	60	80
	Rated lightning impulse withstand voltage – Common value	[kV]	125	170
	Rated lightning impulse withstand voltage - Across the isolating distance	[kV]	145	195

Table 8 – Rated voltage and insulation level

For the fuse-link, the rated voltage shall be 36 kV. Every fuse-link shall work with the fuse base + fuse carrier with a rated voltage of 24 kV and 36 kV.

7.4.3.2 Rated current.

The next sections indicate the rated current of each component, that must be tested with fuse-base, fuse-link and fuse-carrier of this standard.

7.4.3.2.1 Fuse (complete)

The rated current of the fuse shall be equal to the maximum rated current of the fuse-link.

7.4.3.2.2 Fuse-base

The rated current of the fuse-base shall be 315 A.

7.4.3.2.3 Fuse-carrier.

The rated current of the fuse-carrier shall be 100 A.

7.4.3.2.4 Fuse-link.

The rated current of each fuse-link is indicated in 7.1 List of Components.

7.4.3.3 Rated frequency.

The rated frequency shall be 50 and 60 Hz.

7.4.3.4 Rated breaking capacity.

The rated breaking capacity assigned to the fuse and fuse-carrier shall be 8 kA or 10,6 kA (see list of components).

Subject: Global Infrastructure and Networks – GSCM012 DISTRIBUTION FUSE-CUTOUT UP TO 36 kV

Application Areas

Perimeter: *Global*
Staff Function: -
Service Function: -
Business Line: *Infrastructure & Networks*

7.5 CONSTRUCTION CHARACTERISTICS

7.5.1 Fuse base.

The design of the fuse base shall be according to one of the types listed above and described in chapter 7.8.

- Type 1: Linear fuse-base
- Type 2: V-shaped fuse base

All fuse bases shall be equipped with hooks for the opening using special poles for load switching capacity.

All metallic parts of the fuse-base shall be hot dip galvanized steel with a thickness of 85 µm for pollution level “d” or 140 µm for pollution level “e” according to ISO 1461, or stainless steel AISI 316.

Exception is made for those pieces that are obtained by molding, which will be made of an alloy that has a copper content of at least 62%.

7.5.1.1 Polymeric insulators

The housing (sheath and sheds) of the insulators shall be HTV (High Temperature Vulcanized) solid silicone type. This type of silicone rubber is solid and vulcanizes at a high temperature (near 200°C).

Two fabrication processes are allowed for the silicone rubber considered in the standard, molding process or by assembling modules.

The characteristics of the silicone rubber are described in table 9.

Mechanic characteristics	Standard	Unit	Minimum value HTV
Density	ISO 1183-1	g/cm ³	1,5
Hardness	ISO 868	Shore A	65
Breaking stress	ISO 37	N/mm ²	3,5
Breaking elongations	ISO 37	%	200
Tear strength	ISO 34-1	N/mm ²	12

Table 9 – Silicone-rubber characteristics

Subject: Global Infrastructure and Networks – GSCM012 DISTRIBUTION FUSE-CUTOUT UP TO 36 kV

Application Areas

Perimeter: *Global*
Staff Function: -
Service Function: -
Business Line: *Infrastructure & Networks*

At every existing interface from the composite insulator, the adhesion strength of the interface (interface resistance) shall be higher than the tear strength of the silicone.

Silicone-rubbers of insulators shall have a resistance to tracking and electric erosion with a classification of Class 1A 4,5 according to IEC 60587 and shall resist the effects of corona discharges and ozone. It shall withstand a low-current arc discharge for more than 300 seconds under the conditions indicated in standard IEC 61621 and its volume resistivity shall be over $10^{10} \Omega \cdot m$ according to IEC 62631-1.

The silicone-rubber must be type V0 according to the IEC 60695-11-10.

Additionally, the silicone-rubber shall have highly hydrophobic features and shall be classified type WC1 as specified in IEC TS 62073.

The minimum creepage distance of the insulators shall be according to the rated voltage of the fuse and the pollution level assigned, considering $RUSCD = 43,3 \text{ mm/kV}$ for SPS class d and $RUSCD = 53,7 \text{ mm/kV}$ for SPS class e.

7.5.1.2 Fuse-base terminals

The fuse cutout must be supplied with NEMA terminals for the connection of the conductors. They must be tinned or treated with an equivalent system, copper alloy with a maximum zinc content of 6%. Likewise, they will be flat and allow the connection of the corresponding bimetallic terminal on both sides, shown in Figure 1.

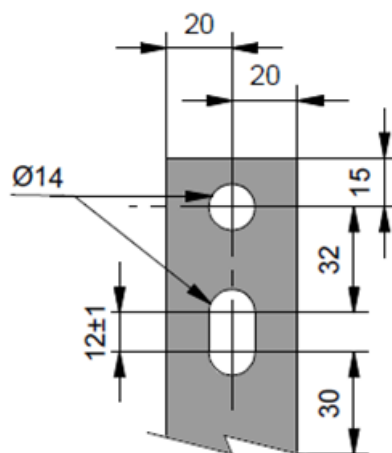


Figure 1 – NEMA terminal

Subject: Global Infrastructure and Networks – GSCM012 DISTRIBUTION FUSE-CUTOUT UP TO 36 kV

Application Areas

Perimeter: *Global*

Staff Function: -

Service Function: -

Business Line: *Infrastructure & Networks*

7.5.1.3 Fuse-base top contact for fuse-carrier

The top contact should be designed to provide a smooth self-aligning action during closing, the top contact is formed of highly conductive copper and is silver plated of minimum 8µm layer thickness.

7.5.1.4 Mounting bracket

The mounting bracket shall be part of the supply of the fuse-base and its characteristics are NEMA type B according to IEEE C37.42 standard.

7.5.2 Fuse-carrier

All details of the materials used in the composition of the fuse-carrier and the means adopted to make it durable and weatherproof shall be provided by the supplier.

All electrical contact surfaces are to be silver plated of minimum 8µm layer thickness.

The tube shall be designed in fiberglass, protected from weather and environment by ultraviolet resistant coating and must be provided with a reflective tape to distinguish between the open and closed position at nighttime.

The hook shall be in bronze or stainless steel.

Dimensions of the fuse-carrier are shown in chapter 7.8.3.

7.5.3 Fuse-links

The fuse-link shall be removable head type, according to Annex B of IEC 60282-2 standard.

Subject: Global Infrastructure and Networks – GSCM012 DISTRIBUTION FUSE-CUTOUT UP TO 36 kV

Application Areas

Perimeter: *Global*
Staff Function: -
Service Function: -
Business Line: *Infrastructure & Networks*

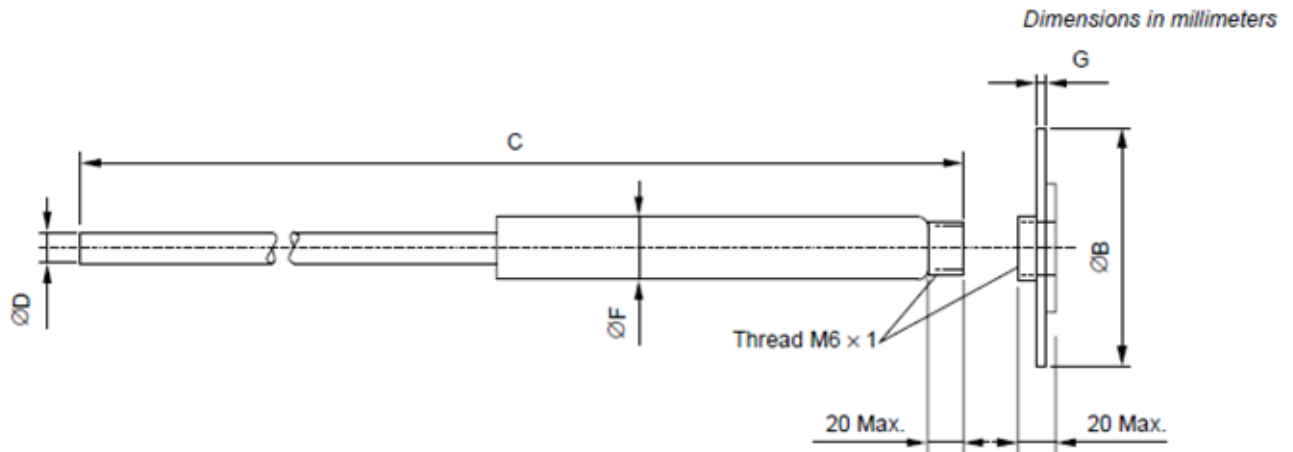


Figure 2 – Removable head fuse-link

Rated current (A)	Dimensions (mm)			
	B	C (min.)	F	D (max)
1 to 50	19,0 ±0,3	600	See note	5
63 to 100	19,0 ±0,3	600	See note	8

Note: The size and shape should be such that the fuse-link will freely enter a fuse-carrier having the following an inside diameter of 11,1 mm.

Table 10 – General dimensions of fuse-link

The fuse element shall be made of tin alloy, silver or other equivalent material, whose electrical and mechanical properties are not permanently altered and in order to comply with IEC 60071-2 due to the passage of current of value and duration less than the current minimum fusion by the environment or over time.

The flexible tail shall be made of electrolytic copper with a minimum diameter of 2.5 mm. The use of ferrous material is not allowed in the current conducting parts.

The arc quenching tube shall be made of insulating material coated internally with vulcanized fiber.

The metallic parts (button, washer and metallic string) must be tinned, silvered or protected in another efficient way, against environmental corrosion and current flow, with no chrome, nickel plating or cadmium being allowed.

The fuse-link must be supplied with identification adhesive, made of vinyl or self-adhesive, flexible PVC, resistant to ultraviolet.

Subject: Global Infrastructure and Networks – GSCM012 DISTRIBUTION FUSE-CUTOUT UP TO 36 kV

Application Areas

Perimeter: *Global*

Staff Function: -

Service Function: -

Business Line: *Infrastructure & Networks*

7.6 TESTS

7.6.1 Type tests

The conditions for performing the type tests are describes in chapter 8.1 of IEC 60282-2 standard.

The results of all type tests shall be recorded in test reports according to chapter 8.2.2 of IEC 60282-2 standard.

The condition of the fuse to be tested and the mounting for the tests shall be according to chapter 8.3 of IEC 60282-2 standard.

7.6.1.1 Dielectric tests

The dielectric tests shall be made as indicated in chapter 8.4 of IEC 60282-2 standard, using the rated values of table 6.

The dielectric tests include:

- Lightning impulse voltage dry tests
- Power-frequency voltage dry tests
- Power-frequency wet tests.

7.6.1.2 Measurement of ohmic resistance of fuse-cutout

The resistance of the fuse-cutout contacts must be measured between each base terminal and the metal part of the nearest accessible fuse-carrier after contact. The points and methods used must allow repeatability of measurements within a 1.0% margin for the measured fuse switch.

The resistance value must be the arithmetic mean of three independent measures.

7.6.1.3 Temperature-rise tests.

The temperature-rise test shall be made as indicated in chapter 8.5 of IEC 60282-2 standard.

7.6.1.4 Breaking tests

The breaking tests shall be made as indicated in chapter 8.6 of IEC 60282-2 standard.

7.6.1.5 Time-current characteristics tests.

The time-current characteristics tests shall be made as indicated in chapter 8.7 of IEC 60282-2 standard.

Subject: Global Infrastructure and Networks – GSCM012 DISTRIBUTION FUSE-CUTOUT UP TO 36 kV

Application Areas

Perimeter: *Global*

Staff Function: -

Service Function: -

Business Line: *Infrastructure & Networks*

7.6.1.6 Lighting surge impulse withstand test.

The test shall be made as indicated in chapter 9.2 of IEC 60282-2 standard.

7.6.1.7 Mechanical tests

7.6.1.7.1 Mechanical tests of fuse-links

Mechanical tests of fuse-links shall be made as indicated in chapter 8.8.2 of IEC 60282-2 standard.
The tests shall be performed at a temperature between 10 °C and 40 °C.

7.6.1.7.2 Mechanical stressing at temperature extremes

The tests shall be made as indicated in chapter 4.2.1 of IEC 60282-4 standard.

7.6.1.7.3 Long term deformation/creep testing

The tests shall be made as indicated in chapter 4.2.2 of IEC 60282-4 standard.

7.6.1.8 Environmental tests

7.6.1.8.1 Accelerated weathering test

The test shall be made as indicated in chapter 4.3.2 of IEC 60282-4 standard.

7.6.1.8.2 Tracking and erosion test

The test shall be made as indicated in chapter 4.3.3 of IEC 60282-4 standard.

7.6.1.9 Tests on interfaces and connections of end fittings

The tests shall be made as indicated in chapter 4.4 of IEC 60282-4 standard.

7.6.1.10 Breaking tests with dye penetration

The tests shall be made as indicated in chapter 4.5 of IEC 60282-4 standard.

Subject: Global Infrastructure and Networks – GSCM012 DISTRIBUTION FUSE-CUTOUT UP TO 36 kV

Application Areas

Perimeter: *Global*
Staff Function: -
Service Function: -
Business Line: *Infrastructure & Networks*

7.6.2 Acceptance tests

In order to do the acceptance for each purchased lot, it shall be necessary to accomplish according to table 11.

N (lot size)	Acceptance test								
	A1			A5			A4		
	A2						A6		
	A3								
	-								
	AQL 1,5%			AQL 2,5%			AQL 1,5%		
Sample size	Ac	Re	Sample size ^a	Ac ^b	Re ^b	Sample size	Ac	Re	
N≤90	8	0	1	c	-	-	c	-	-
91≤150	20	0	2	6	0	1	8	0	1
	20	1	2						
151≤280	20	0	2	18	0	2	8	0	1
	20	1	2						
281≤500	32	0	3	18	0	2	8	0	1
	32	3	4						
501≤1200	50	1	4	18	0	2	8	0	1
	50	4	5						
1201≤3200	80	2	5	24	0	3	8	0	1
	80	6	7						
3201≤10000	125	3	7	24	0	3	20	0	1
	125	8	9						
10001≤35000	200	5	9	36	1	4	20	0	2
	200	12	13						
Ac = Acceptance number			Re =Rejection number						
<p>^a The sample indicated for the tests to verify the time/current characteristics has been set to a number divisible by six. This sample should be divided into six parts, each being subjected to tests with a melting time of 300 s respectively (or 600 s), 10 s, and 0.1 s. Each test (minimum and maximum time) must use the number of samples in the sampling plan.</p> <p>^b The acceptance and rejection numbers indicated for the time × current fusion characteristics verification tests refer to the sum of defective units found in the tests with the three fusion times (300 s or 600 s, 10 s and 0.1 s) , maximum and minimum.</p> <p>AQL - Acceptable Quality Level</p>									

Table 11 – Sample plan

7.6.2.1 Dimensional verification (A1)

The dimensional verification for fuse-bases, fuse-carrier and/or fuse-links shall be made according to this standard.

7.6.2.2 Power-frequency voltage dry tests (A2)

The tests shall be made as indicated in chapter 8.4.5 of IEC 60282-2 standard.

Subject: Global Infrastructure and Networks – GSCM012 DISTRIBUTION FUSE-CUTOUT UP TO 36 kV

Application Areas

Perimeter: *Global*

Staff Function: -

Service Function: -

Business Line: *Infrastructure & Networks*

7.6.2.3 Measurement of ohmic resistance of fuse-links (A3)

The electrical resistance of the fuse link cannot vary from $\geq 7.5\%$ the average resistance of the batch under inspection. In addition, no fuse link must have resistance outside the limits of $\geq 10\%$ in relation to the resistance of a standard comparison resistor to be prepared by the manufacturer for each rated current value and type of fuse-link.

7.6.2.4 Temperature-rise tests (A4)

The temperature-rise test shall be made as indicated in chapter 8.5 of IEC 60282-2 standard.

7.6.2.5 Time-current characteristics tests for fuse-links (A5)

The tests shall be made as indicated in chapter 8.7 of IEC 60282-2 standard.

7.6.2.6 Mechanical tests of fuse-links. Dynamic tests (A6)

The tests shall be made as indicated in chapter 8.8.2.2 of IEC 60282-2 standard.

7.7 MARKING AND INFORMATION

7.7.1 Fuse base

The identification according to chapter 11 of IEC 60282-2 standard must be made through a stainless-steel plate or anodized aluminum, permanently fixed or marked directly on the polymeric body and contain the following information:

- Manufacturer's name or trademark
- ENEL type code
- Manufacturer's designation
- Year and month of manufacture.
- Rated insulation level.
- Rated voltage (Ur)
- Rated current (Ir)



Subject: Global Infrastructure and Networks – GSCM012 DISTRIBUTION FUSE-CUTOUT UP TO 36 kV

Application Areas

Perimeter: *Global*

Staff Function: -

Service Function: -

Business Line: *Infrastructure & Networks*

7.7.2 Fuse-carrier

- Manufacturer's name or trademark
- Manufacturer's designation
- Year and month of manufacture.
- Rated voltage (Ur)
- Rated current (Ir)
- Rated breaking capacity and TRV class.
- Rated frequency.
- Reflective tape to distinguish between the open and closed position at nighttime.

7.7.3 Fuse-links

- Manufacturer's name or trademark.
- Manufacturer's type designation.
- Rated current (Ir) and speed designation.
- Rated voltage (Ur)

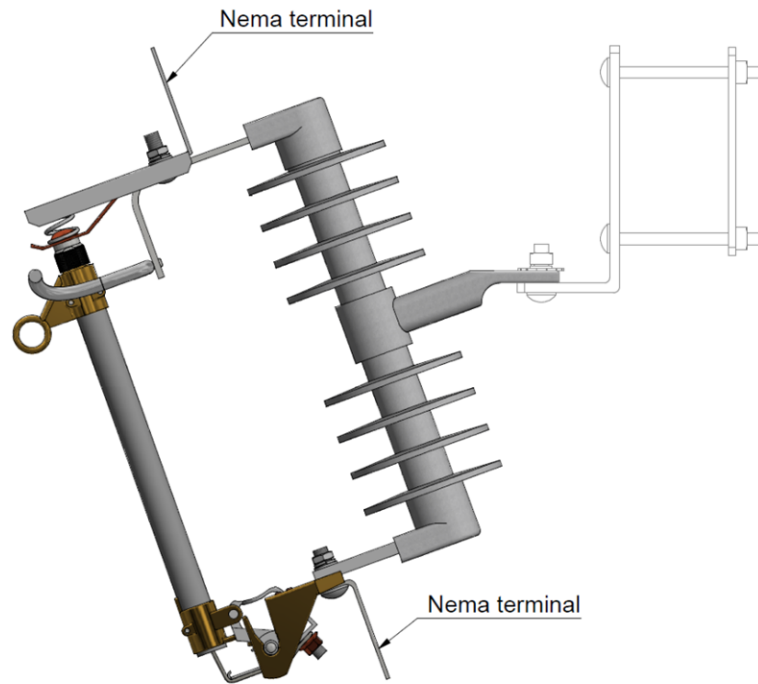
Subject: Global Infrastructure and Networks – GSCM012 DISTRIBUTION FUSE-CUTOUT UP TO 36 kV

Application Areas

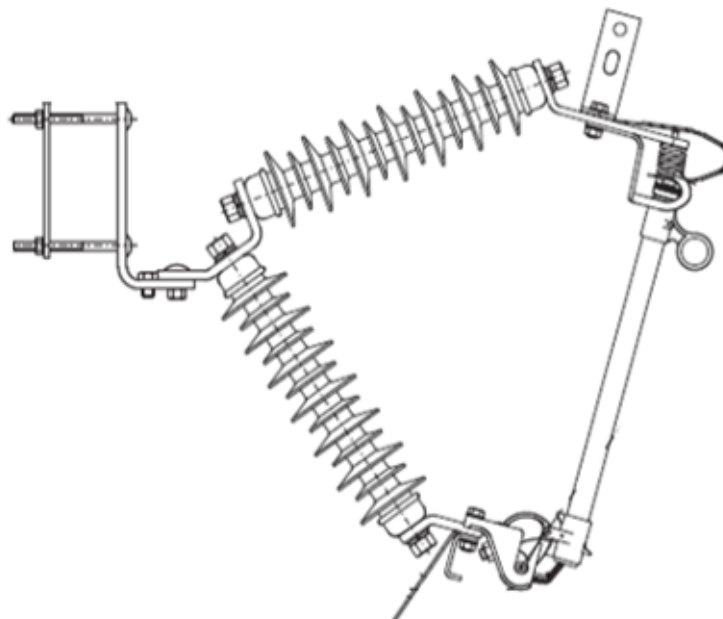
Perimeter: *Global*
Staff Function: -
Service Function: -
Business Line: *Infrastructure & Networks*

7.8 GENERAL DRAWINGS

7.8.1 Fuse base type 1 (Linear)



7.8.2 Fuse-base type 2 (V-shaped)

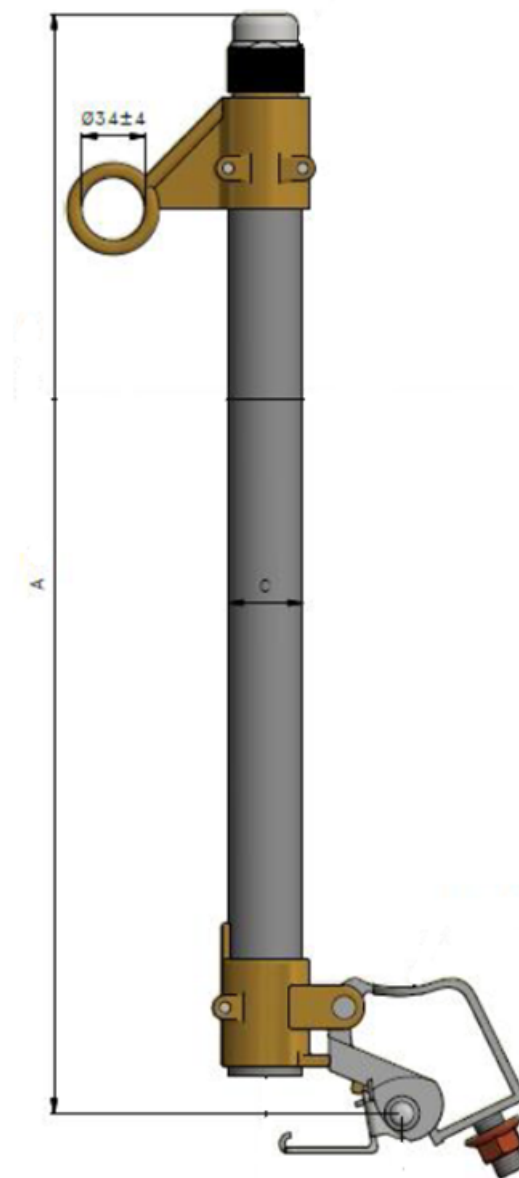


Subject: Global Infrastructure and Networks – GSCM012 DISTRIBUTION FUSE-CUTOUT UP TO 36 kV

Application Areas

Perimeter: *Global*
Staff Function: -
Service Function: -
Business Line: *Infrastructure & Networks*

7.8.3 Fuse-carrier



Ur (kV)	A [mm]
24	375±2
36	468±2

The internal diameter for the fuse-carrier shall be 11,1 mm.

Subject: Global Infrastructure and Networks – GSCM012 DISTRIBUTION FUSE-CUTOUT UP TO 36 kV

Application Areas

Perimeter: *Global*

Staff Function: -

Service Function: -

Business Line: *Infrastructure & Networks*

8 ANNEX A - TECHNICAL CHECK LIST

Item	Unit	Requested	Offered
1 General information			
1.1 Supplier name			
1.2 Production plant address			
1.3 Distribution Company and Country			
1.4 Type Code			
1.5 Designation			
1.6 Supplier reference			
2 Voltage			
2.1 Rated voltage	[kV]		
2.2 Rated short-duration power-frequency withstand voltage – Common value	[kV]		
2.3 Rated short-duration power-frequency withstand voltage – Across the isolating distance	[kV]		
2.4 Rated lightning impulse withstand voltage – Common value	[kV]		
2.5 Rated lightning impulse withstand voltage - Across the isolating distance	[kV]		
3 Current			
3.1 Rated current of fuse base	[A]		
3.2 Rated current of fuse-carrier	[A]		
4 Rated frequency	[Hz]		
5 Rated breaking capacity	[kA]		
6 Polymeric insulator			
6.1 Material			
6.2 RUSCD	[mm/kV]		
7 Seismic qualification level			
8 TRV class			
9. Drawings with material characteristics			

Fuse cutout check-list



Subject: Global Infrastructure and Networks – GSCM012 DISTRIBUTION FUSE-CUTOUT UP TO 36 kV

Application Areas

Perimeter: *Global*

Staff Function: -

Service Function: -

Business Line: *Infrastructure & Networks*

Item	Unit	Requested	Offered
1 General information			
1.1 Supplier name			
1.2 Production plant address			
1.3 Distribution Company and Country			
1.4 Type Code			
1.5 Designation			
1.6 Supplier reference			
2 Voltage			
2.1 Rated voltage	[kV]		
3 Current			
3.1 Rated current	[A]		
8 Type	-		
9. Drawings with material characteristics			

Fuse-link check-list

Subject: Global Infrastructure and Networks – GSCM012 DISTRIBUTION FUSE-CUTOUT UP TO 36 kV

Application Areas

Perimeter: *Global*
Staff Function: -
Service Function: -
Business Line: *Infrastructure & Networks*

ADDENDUM

This addendum substitutes/integrates in every single paragraph some requirements or editorial corrections.

7.1 LIST OF COMPONENTS

Added 15 kV as new rated voltage for cut-out fuses delivered to certain countries.

Type code	Description	Rated Voltage (kV)	Fuse base type	Pollution level	Rated breaking capacity (kA)
GSCM012/10	Linear fuse-cutout 15kV 8kA (pollution level d)	15	1	d	8
GSCM012/11	Linear fuse-cutout 15kV 8kA (pollution level e)	15	1	e	8

Table 2 – List of components (fuse-cutout)

7.4.3.1 Rated voltage and insulation level

Added 15 kV as new rated voltage for cut-out fuses delivered to certain countries

Rated Voltage [kV]			15
Rated insulation level	Rated short-duration power-frequency withstand voltage – Common value	[kV]	38
	Rated short-duration power-frequency withstand voltage – Across the isolating distance	[kV]	45
	Rated lightning impulse withstand voltage – Common value	[kV]	95
	Rated lightning impulse withstand voltage - Across the isolating distance	[kV]	110

For the fuse-link, the rated voltage shall be 36 kV. Every fuse-link shall work with the fuse base + fuse carrier with a rated voltage of 15 kV, 24 kV and 36 kV.

Subject: Global Infrastructure and Networks – GSCM012 DISTRIBUTION FUSE-CUTOUT UP TO 36 kV

Application Areas

Perimeter: *Global*

Staff Function: -

Service Function: -

Business Line: *Infrastructure & Networks*

7.5.1 Fuse base

Allowed AISI 304 for stainless steel.

All metallic parts of the fuse-base shall be hot dip galvanized steel with a thickness of 85 µm for pollution level “d” according to ISO 1461 and stainless steel (minimum AISI 304) for pollution level “e”.

7.8.3 Fuse carrier

Added distance “A” for 15 kV

Ur (kV)	A [mm]
15	287±2
24	375±2
36	468±2

Subject: Global Infrastructure and Networks – GSCM012 DISTRIBUTION FUSE-CUTOUT UP TO 36 kV

Application Areas

Perimeter: *Global*
Staff Function: -
Service Function: -
Business Line: *Infrastructure & Networks*

List of country codes

Type code	Country	Country Code	Description	Rated Voltage [kV]	Rated breaking capacity [kA]	Pollution level	Creepage Distance [mm]
GSCM0012/1	Colombia	170095	Linear fuse-cutout 24kV 8kA (pollution level d)	24	8	d	600
GSCM0012/5	Colombia	170096	Linear fuse-cutout 36kV 8kA (pollution level d)	36	8	d	900
GSCM0012/1	Brasil	170075	Linear fuse-cutout 24kV 8kA (pollution level d)	24	8	d	600
GSCM0012/2	Brasil	170074	Linear fuse-cutout 24kV 8kA (pollution level e)	24	8	e	744
GSCM0012/5	Brasil	170073	Linear fuse-cutout 36kV 8kA (pollution level d)	36	8	d	900
GSCM0012/6	Brasil	170072	Linear fuse-cutout 36kV 8kA (pollution level e)	36	8	e	1116
GSCM0012/1	Spain	170064	Linear fuse-cutout 24kV 8kA (pollution level d)	24	8	d	600
GSCM0012/2	Spain	170062	Linear fuse-cutout 24kV 8kA (pollution level e)	24	8	e	744
GSCM0012/3	Spain	170061	V-shaped fuse-cutout 24kV 8kA (pollution level d)	24	8	d	600
GSCM0012/4	Spain	170060	V-shaped fuse-cutout 24kV 8kA (pollution level e)	24	8	e	744
GSCM0012/5	Spain	170059	Linear fuse-cutout 36kV 8kA (pollution level d)	36	8	d	900
GSCM0012/6	Spain	170058	Linear fuse-cutout 36kV 8kA (pollution level e)	36	8	e	1116
GSCM0012/7	Spain	170066	V-shaped fuse-cutout 36kV 8kA (pollution level d)	36	8	d	900
GSCM0012/8	Spain	170056	V-shaped fuse-cutout 36kV 8kA (pollution level e)	36	8	e	1116
GSCM0012/5	Argentina	0110-0224	Linear fuse-cutout 36kV 8kA (pollution level d)	36	8	d	900
GSCM0012/9	Argentina	0110-0225	Linear fuse-cutout 24kV 10,6kA (pollution level d)	24	10,6	d	600
GSCM0012/1	Chile	170039	Linear fuse-cutout 24kV 8kA (pollution level d)	24	8	d	600
GSCM0012/5	Chile	170038	Linear fuse-cutout 36kV 8kA (pollution level d)	36	8	d	900
GSCM0012/10	Brasil	170159	Linear fuse-cutout 15kV 8kA (pollution level d)	15	8	d	380
GSCM0012/11	Brasil	170158	Linear fuse-cutout 15kV 8kA (pollution level e)	15	8	e	465

List of country codes (fuse-cutout)



Subject: Global Infrastructure and Networks – GSCM012 DISTRIBUTION FUSE-CUTOUT UP TO 36 kV

Application Areas

Perimeter: *Global*

Staff Function: -

Service Function: -

Business Line: *Infrastructure & Networks*

Type code	Country	Country Code	Description	Rated current (A)	Type
GSCM012/20	Argentina	0110-0217	Fuse-link type K 1A	1	K
GSCM012/21	Argentina	0110-0216	Fuse-link type K 2A	2	K
GSCM012/22	Argentina	0110-0218	Fuse-link type K 3A	3	K
GSCM012/23	Argentina	0110-0219	Fuse-link type K 6,3A	6,3	K
GSCM012/24	Argentina	0110-0220	Fuse-link type K 8A	8	K
GSCM012/25	Argentina	0110-0221	Fuse-link type K 10A	10	K
GSCM012/27	Argentina	0110-0236	Fuse-link type K 16A	16	K
GSCM012/28	Argentina	0110-0222	Fuse-link type K 20A	20	K
GSCM012/30	Argentina	0110-0237	Fuse-link type K 31,5A	31,5	K
GSCM012/31	Argentina	0110-0223	Fuse-link type K 40A	40	K
GSCM012/33	Argentina	0110-0238	Fuse-link type K 63A	63	K
GSCM012/22	Brasil	170071	Fuse-link type K 3A	3	K
GSCM012/23	Brasil	170070	Fuse-link type K 6,3A	6,3	K
GSCM012/24	Brasil	170069	Fuse-link type K 8A	8	K
GSCM012/25	Brasil	170068	Fuse-link type K 10A	10	K
GSCM012/26	Brasil	170067	Fuse-link type K 12,5A	12,5	K
GSCM012/27	Brasil	170066	Fuse-link type K 16A	16	K
GSCM012/28	Brasil	170065	Fuse-link type K 20A	20	K
GSCM012/29	Brasil	170064	Fuse-link type K 25A	25	K
GSCM012/30	Brasil	170063	Fuse-link type K 31,5A	31,5	K
GSCM012/31	Brasil	170062	Fuse-link type K 40A	40	K
GSCM012/32	Brasil	170061	Fuse-link type K 50A	50	K
GSCM012/33	Brasil	170060	Fuse-link type K 63A	63	K
GSCM012/34	Brasil	170059	Fuse-link type K 80A	80	K
GSCM012/35	Brasil	170058	Fuse-link type K 100A	100	K

List of country codes (Type K fuse links)



Subject: Global Infrastructure and Networks – GSCM012 DISTRIBUTION FUSE-CUTOUT UP TO 36 kV

Application Areas

Perimeter: *Global*

Staff Function: -

Service Function: -

Business Line: *Infrastructure & Networks*

Type code	Country	Country Code	Description	Rated current (A)	Type
GSCM012/20	Spain	170055	Fuse-link type K 1A	1	K
GSCM012/21	Spain	170015	Fuse-link type K 2A	2	K
GSCM012/22	Spain	170054	Fuse-link type K 3A	3	K
GSCM012/23	Spain	170052	Fuse-link type K 6,3A	6,3	K
GSCM012/24	Spain	170051	Fuse-link type K 8A	8	K
GSCM012/25	Spain	170050	Fuse-link type K 10A	10	K
GSCM012/26	Spain	170049	Fuse-link type K 12,5A	12,5	K
GSCM012/27	Spain	170016	Fuse-link type K 16A	16	K
GSCM012/28	Spain	170048	Fuse-link type K 20A	20	K
GSCM012/29	Spain	170042	Fuse-link type K 25A	25	K
GSCM012/30	Spain	170047	Fuse-link type K 31,5A	31,5	K
GSCM012/31	Spain	170038	Fuse-link type K 40A	40	K
GSCM012/32	Spain	170037	Fuse-link type K 50A	50	K
GSCM012/33	Spain	170036	Fuse-link type K 63A	63	K
GSCM012/34	Spain	170041	Fuse-link type K 80A	80	K
GSCM012/35	Spain	170035	Fuse-link type K 100A	100	K
GSCM012/23	Colombia	170089	Fuse-link type K 6,3A	6,3	K
GSCM012/25	Colombia	170091	Fuse-link type K 10A	10	K
GSCM012/27	Colombia	170093	Fuse-link type K 16A	16	K
GSCM012/28	Colombia	170094	Fuse-link type K 20A	20	K
GSCM012/29	Colombia	170092	Fuse-link type K 25A	25	K
GSCM012/30	Colombia	170090	Fuse-link type K 31,5A	31,5	K
GSCM012/31	Colombia	170088	Fuse-link type K 40A	40	K

List of country codes (Type K fuse links)



Subject: Global Infrastructure and Networks – GSCM012 DISTRIBUTION FUSE-CUTOUT UP TO 36 kV

Application Areas

Perimeter: *Global*

Staff Function: -

Service Function: -

Business Line: *Infrastructure & Networks*

Type code	Country	Country Code	Description	Rated current (A)	Type
GSCM012/40	Spain	170034	Fuse-link type T 1A	1	T
GSCM012/41	Spain	170017	Fuse-link type T 2A	2	T
GSCM012/42	Spain	170033	Fuse-link type T 3A	3	T
GSCM012/43	Spain	170043	Fuse-link type T 6,3A	6,3	T
GSCM012/44	Spain	170032	Fuse-link type T 8A	8	T
GSCM012/45	Spain	170030	Fuse-link type T 10A	10	T
GSCM012/46	Spain	170021	Fuse-link type T 12,5A	12,5	T
GSCM012/47	Spain	170031	Fuse-link type T 16A	16	T
GSCM012/48	Spain	170020	Fuse-link type T 20A	20	T
GSCM012/49	Spain	170046	Fuse-link type T 25A	25	T
GSCM012/50	Spain	170018	Fuse-link type T 31,5A	31,5	T
GSCM012/51	Spain	170019	Fuse-link type T 40A	40	T
GSCM012/52	Spain	170022	Fuse-link type T 50A	50	T
GSCM012/53	Spain	170057	Fuse-link type T 63A	63	T
GSCM012/54	Spain	170045	Fuse-link type T 80A	80	T
GSCM012/55	Spain	170044	Fuse-link type T 100A	100	T
GSCM012/48	Colombia	170087	Fuse-link type T 20A	20	T
GSCM012/49	Colombia	170086	Fuse-link type T 25A	25	T
GSCM012/50	Colombia	170085	Fuse-link type T 31,5A	31,5	T
GSCM012/51	Colombia	170084	Fuse-link type T 40A	40	T
GSCM012/52	Colombia	170083	Fuse-link type T 50A	50	T

List of country codes (Type T fuse links)



Subject: Global Infrastructure and Networks – GSCM012 DISTRIBUTION FUSE-CUTOUT UP TO 36 kV

Application Areas

Perimeter: *Global*

Staff Function: -

Service Function: -

Business Line: *Infrastructure & Networks*

Type code	Country	Country Code	Description	Rated current (A)	Type
GSCM012/43	Brasil	170057	Fuse-link type T 6,3A	6,3	T
GSCM012/45	Brasil	170056	Fuse-link type T 10A	10	T
GSCM012/46	Brasil	170055	Fuse-link type T 12,5A	12,5	T
GSCM012/47	Brasil	170054	Fuse-link type T 16A	16	T
GSCM012/48	Brasil	170053	Fuse-link type T 20A	20	T
GSCM012/49	Brasil	170052	Fuse-link type T 25A	25	T
GSCM012/50	Brasil	170051	Fuse-link type T 31,5A	31,5	T
GSCM012/51	Brasil	170050	Fuse-link type T 40A	40	T
GSCM012/52	Brasil	170049	Fuse-link type T 50A	50	T
GSCM012/53	Brasil	170048	Fuse-link type T 63A	63	T
GSCM012/54	Brasil	170047	Fuse-link type T 80A	80	T
GSCM012/55	Brasil	170046	Fuse-link type T 100A	100	T
GSCM012/40	Chile	170037	Fuse-link type T 1A	1	T
GSCM012/41	Chile	170036	Fuse-link type T 2A	2	T
GSCM012/42	Chile	170035	Fuse-link type T 3A	3	T
GSCM012/43	Chile	170034	Fuse-link type T 6,3A	6,3	T
GSCM012/44	Chile	170033	Fuse-link type T 8A	8	T
GSCM012/45	Chile	170032	Fuse-link type T 10A	10	T
GSCM012/46	Chile	170031	Fuse-link type T 12,5A	12,5	T
GSCM012/47	Chile	170030	Fuse-link type T 16A	16	T
GSCM012/48	Chile	170029	Fuse-link type T 20A	20	T
GSCM012/49	Chile	170040	Fuse-link type T 25A	25	T
GSCM012/50	Chile	170028	Fuse-link type T 31,5A	31,5	T
GSCM012/51	Chile	170027	Fuse-link type T 40A	40	T
GSCM012/52	Chile	170026	Fuse-link type T 50A	50	T
GSCM012/53	Chile	170025	Fuse-link type T 63A	63	T
GSCM012/54	Chile	170024	Fuse-link type T 80A	80	T
GSCM012/55	Chile	170023	Fuse-link type T 100A	100	T

List of country codes (Type T fuse links)



Subject: Global Infrastructure and Networks – GSCM012 DISTRIBUTION FUSE-CUTOUT UP TO 36 kV

Application Areas

Perimeter: *Global*

Staff Function: -

Service Function: -

Business Line: *Infrastructure & Networks*

Type code	Country	Country Code	Description	Rated current (A)	Type
GSCM012/60	Brasil	170045	Fuse-link type H 0,5A	0,5	H
GSCM012/61	Brasil	170044	Fuse-link type H 1A	1	H
GSCM012/62	Brasil	170043	Fuse-link type H 2A	2	H
GSCM012/63	Brasil	170042	Fuse-link type H 3A	3	H
GSCM012/64	Brasil	170041	Fuse-link type H 5A	5	H

List of country codes (Type H fuse links)