

GSH001 – HV CIRCUIT-BREAKERS

AMENDMENT CELG D

In addition on what specified in the common part and Latam part, the following requirements are prescribed:

6.5.3 NAMEPLATES

The nameplate language shall be in Portuguese for CELG.

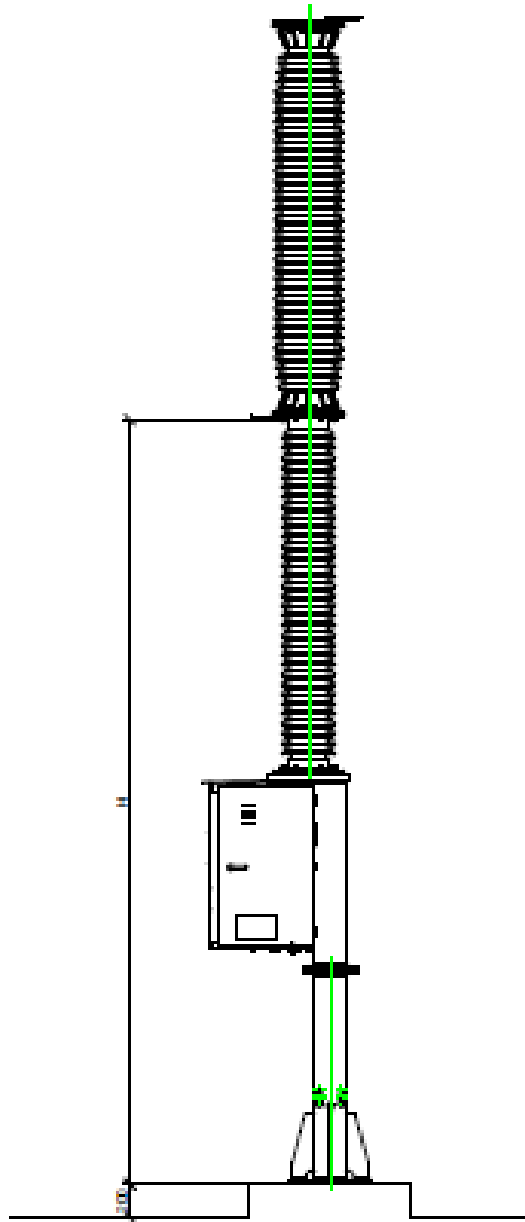
The identification plate must be supplied as shown below.



ANNEX A LOCAL COMPONENTS CODIFICATION

CELG Code	Type Code
48579	GSH001/1
48582	GSH001/4

ANNEX B | DIMENSIONAL DRAWINGS



H - altura do terminal AT inferior

72,5 kV	145 kV
3300	4000

ANNEX C | ELECTRICAL SCHEMES

